



**AUTOMATIC ENTRANCE SPECIALISTS**

Jolly E e Jolly M  
Automatic systems  
for sliding doors and windows



Automatic pedestrian doors

# Jolly E automatic system

The aim of the **Jolly** series of automatic systems for sliding doors, windows shutters and so on is, so to speak, to bring automation to the masses. In fact, while incorporating all the advanced technological features of DITEC products, these systems have been designed and developed with a special eye to absolute ease of installation and maintenance. Featuring an extremely compact design, they are supplied in assembly kits including the full range of fittings and components required for installation. The **Jolly** series represents a great step forward towards the use of automatic systems at home. Being fully reversible, the Jolly series of operators allow the door, window, shutter, etc. to be easily and effortlessly opened manually in case of their deactivation.

**Jolly E** is a small operator with belt transmission capable of moving single-wing sliding doors, windows, shutters, etc. of up to 80 Kgs in weight. It can be mounted on existing installations, whether exposed or hidden-away. Suitable for manifold applications besides doors, including shutters, windows, protection grids, and so on.

Easy and quick to install, the product is of such simple design and construction that it requires no special maintenance.

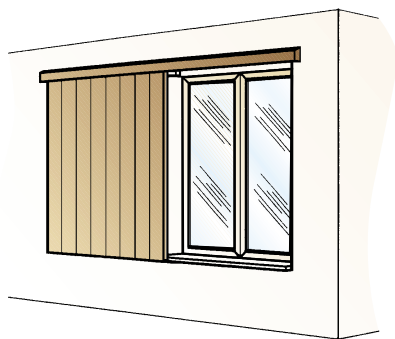
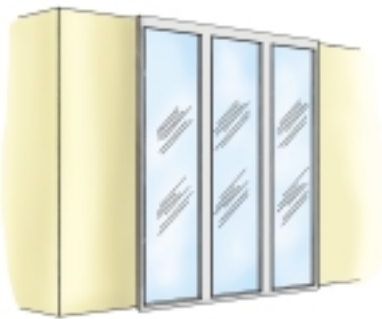
## Jolly E Kit

Viene Jolly E comes in a practical box containing all the parts required for automating a one-wing sliding door or window, namely:

- the **Jolly E** geared motor
- 1.5m-long drive belt
- belt attachments
- the pushbutton panel with built-in electric board in a 3-place light point box.

A wing lock fitting is also available on request.

## Examples of installation



Automatic exposed grid/shutter



**Jolly E**: automatic exposed shutters



Jolly E kit

# Jolly M automatic system

The **Jolly M** automatic system is not only extremely compact in design but also "intelligent", being capable of moving via a belt single-wing sliding doors, windows and so on. In fact, it is equipped with a microprocessor thanks to which movements are always kept under perfect control, being always smooth and regular and with the same acceleration and deceleration typical of traditional automatic systems. Simplicity of design and construction together with ease of installation make the **Jolly M** the ideal choice for automating existing single-wing indoor sliding doors, whether exposed or hide-away, without the need for special masonry or joinery

works. **Jolly M** is truly a unique product on the market, being a veritable innovation in the home door automation sector. Given DITEC's agenda to bring door automation to the widest possible number of consumers, even to those who till now have not been able to afford such a commodity, **Jolly M**'s price and performance characteristics have been especially chosen to make it a sure big seller.

## Jolly M Kit

Available in two versions, with or without the passive infrared detector for automatic opening.

Both versions comprise:

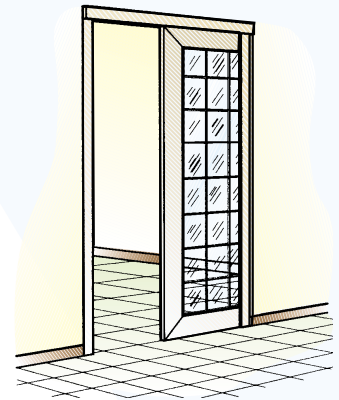
- the **Jolly M** actuator
- a 1.5m-long drive belt
- two belt couplings
- an automatic closing adjuster
- a pushbutton panel

Additional loose parts such as radar and pushbutton panel are also available on request.



**Jolly M:** automatic hide-away sliding door

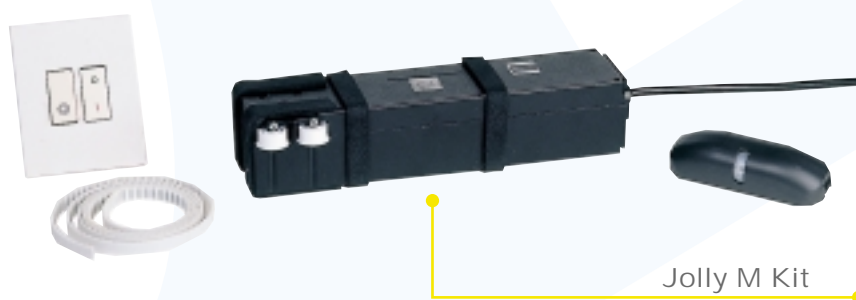
## Examples of installation



Indoor hide-away door with concealed automation



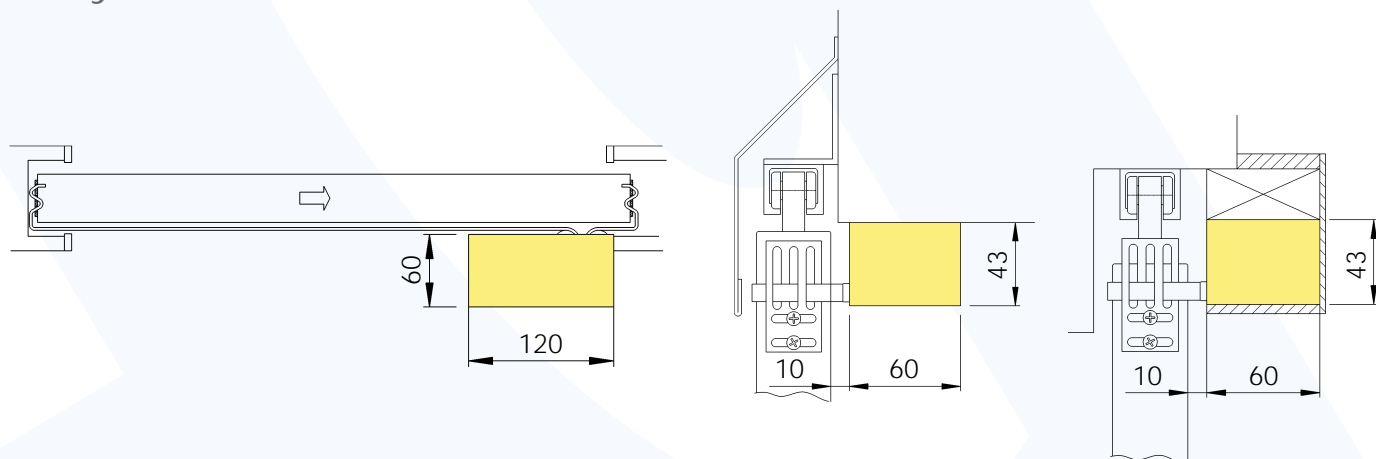
Indoor exposed door with exposed automation



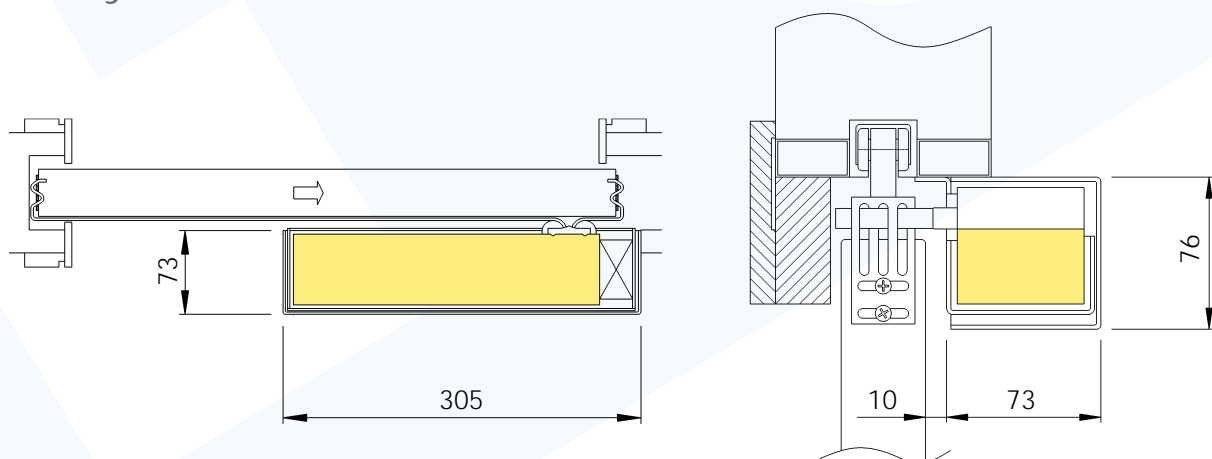
Jolly M Kit

## Mode of installation and dimensions

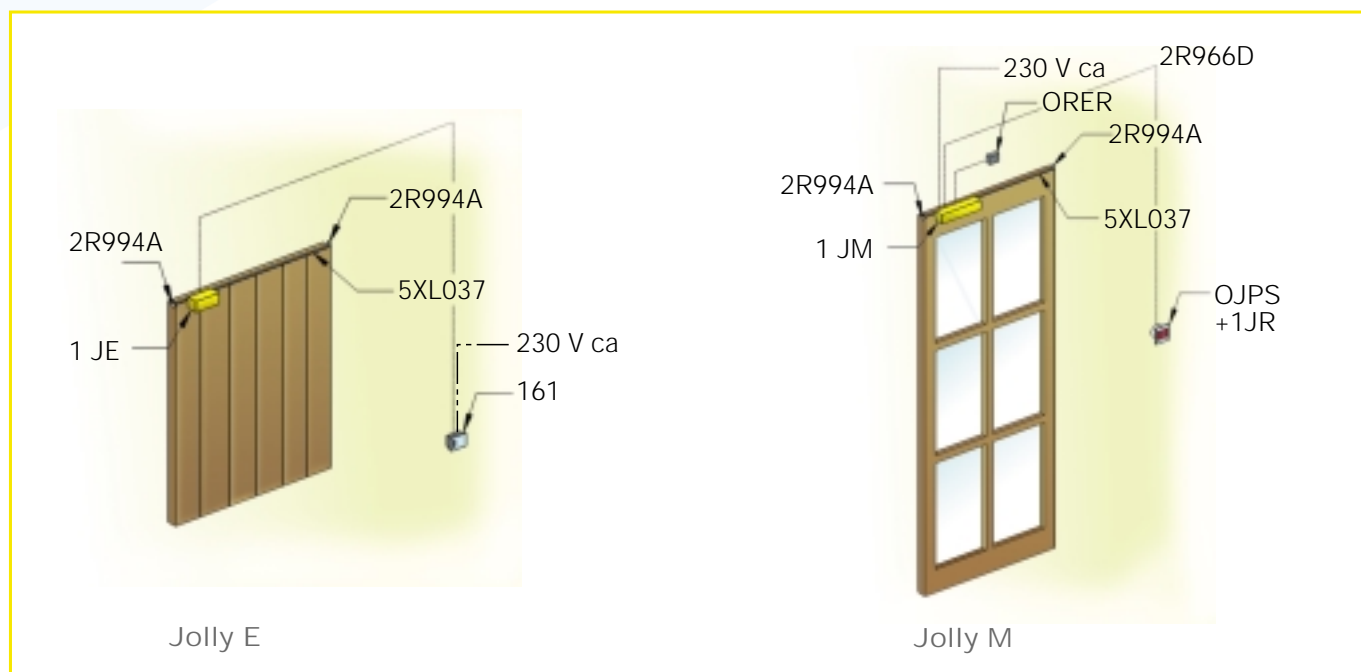
### Jolly E



### Jolly M



## Installation layout



Jolly E

Jolly M

# Technical features

Geared motors:	Jolly E	Jolly M
<b>Wing weight</b>	80-100 Kgs (max.) under ideal manual sliding conditions	Max. 40 Kgs under ideal manual sliding conditions
<b>Dimensions</b>	120 x 60 x 43 mm	305 x 73 x 76 mm
<b>Travel</b>	Min. 300 mm • max 3,500 mm	Min. 300 mm • max 3,500 mm
<b>Speed (1 wing)</b>	0.1 m/s	0.4 m/s during opening 0.2 m/s during closing
<b>Power supply</b>	mains, 230V/50Hz with 1.5mm cable	To mains, 230V/50Hz with 1.5mm cable
<b>Power input</b>	0,2 A	0,2 A
<b>Motor</b>	24 Vdc	24Vdc with encoder
<b>Force</b>	50 N	30 N
<b>Electric board</b>	Separate (Type 61)	Built-in, with microprocessor (Type 63)
<b>Connections</b>	<ul style="list-style-type: none"> <li>to mains by screw-on terminal board</li> <li>between board and geared motor 2 x 0,5 mm<sup>2</sup> (max. 3 m) or 2 x 1,5 mm<sup>2</sup> (max. 10 m)</li> </ul>	<ul style="list-style-type: none"> <li>to mains: with 1.5m-long cable with Schuko plug</li> <li>between pushbutton panel and geared motor: telephone-type connector</li> </ul>
<b>Limit switch</b>	Upon obstacle detection	Automatic encoders
<b>Lock</b>	Mechanical lock activated by door movement	Not available
<b>Behaviour upon obstacle detection</b>	Stops upon encountering obstacle both in opening and closing	Movement reversal in case of obstacle being encounter. during clos., and stop dur. opening
<b>Safety devices</b>	—	Possibility of linking up photocells with opening function
<b>Control connections</b>	With telephone-type connectors	Telephone-type connectors
<b>Outputs</b>	No accessory powered	24 V/1.5A
<b>Controls</b>	<ul style="list-style-type: none"> <li>Pushbutton panel + transformer + logic control in a 3-place light point box for jogging and automatic stop</li> <li>Possibility of connecting external auxiliary buttons</li> </ul>	Pushbutton, radar or other type of contact
<b>Opening system</b>	Pushbutton	Pushbutton or with radar, photocells, etc.
<b>Closing system</b>	Pushbutton	Pushbutton or automatic (timer-controlled)
<b>Other features</b>	<ul style="list-style-type: none"> <li>Possibility of connecting more than one actuator in parallel with centralized control</li> </ul>	<ul style="list-style-type: none"> <li>External trimmers for automatic closing time adjustment Possibility of selecting direction of movement from outside</li> </ul>

Standards: DITEC automatic systems are all CE-listed, and designed and built in compliance with applicable safety requirements as set out in Machinery Directive 89/392/CEE, Electromagnetic Compatibility Directive 89/336/CEE and Low-Tension Directive 73/23/CEE. DITEC S.p.A. reserves the right to make any modifications it deems fit and opportune for product improvement without prior notice.

## Jolly E Specification

Jolly E-Series Automatic system for sliding doors manufactured by the Automatic Door Division of DITEC S.p.A. The system must be powered by 230V/50Hz. The electronic control board must be installed externally within

the pushbutton panel. The limit switch system must be of the obstacle type. The geared motor should have the following dimensions: 120x60x43mm. In case of power failure, the geared motor must be so set up as to allow

the manual opening and closing of the door. The geared motor must be exclusively made up of electromechanical components, that is it must not be fitted with any partially or fully hydraulic or pneumatic systems.

## Jolly M Specification

Jolly M-Series Automatic system for sliding doors manufactured by the Automatic Door Division of DITEC S.p.A. The system must be powered by 230V/50Hz. The electronic control board must incorporate a microprocessor logic and the limit switch system must be of the automatic type with an encoder for the "intelligent" management of

all door movements. The geared motor must be so set up as to reverse direction of movement in case of an obstacle being encountered during closing and to stop during opening. Selection of movement direction must be possible from the outside. Connection to controls must be made with telephone-type connectors. The geared motor

should have the following dimensions: 305x73x76mm. In case of power failure, the geared motor must be so set up as to allow the manual opening and closing of the door. The geared motor must be exclusively made up of electromechanical components, that is it must not be fitted with any partially or fully hydraulic or pneumatic systems.



Factory and offices: CARONNO P.LLA - VA  
Factory: QUARTO D'ALTINO - VE



ISO 9001  
Cert. n° 0957/0

**DITEC S.p.A.**  
Via Mons. Banfi, 3  
21042 Caronno P.la (VA) Italy  
Tel. +39 02 963911 - Fax +39 02 9650314  
[www.ditec.it](http://www.ditec.it)

PA logo is owned by DITEC S.p.A.

