

Obbi Silver Luxo

external automations
for swing gates



External Automation

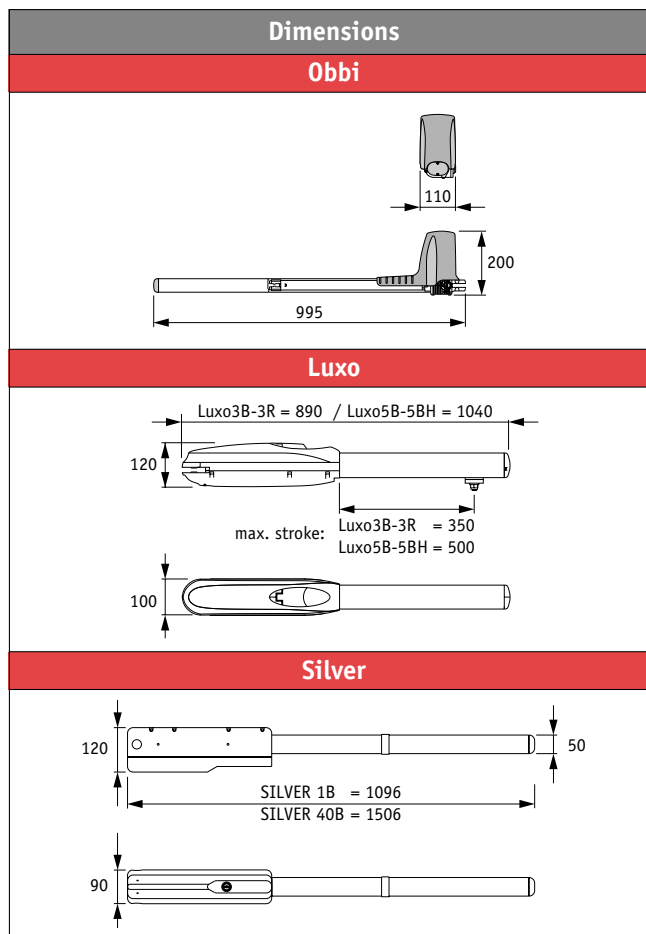
Swing gates require great attention as regards their motorization because they are exposed to bad weather and frequent use.

In order to offer the best possible solution, during the designing stage of the automatic system it is necessary to consider in detail the type of use it will be subjected to as well as the type of gate frame.

DITEC offers a complete range of products designed to allow easy installation of gates of any size and to withstand heavy duty.

Product Range

Frequent use	Obbi 3BH
Frequent use	Silver 1B – Silver 40B
Heavy duty	Luxo 3R - Luxo 3B Luxo 5B – Luxo 5BH



Technical specifications

	OBBI 3BH	LUXO 3B	LUXO 5B	LUXO 5BH	SILVER 1B	SILVER 40B
Electromechanical actuator	non reversible	reversible / non reversible	reversible / non reversible	reversible / non reversible	non reversible	non reversible
Other versions		LUXO 3R (only reversible)				
Max. capacity	250 kg x 1.5 mt 150 kg x 3 mt	350 kg x 2.5 mt 250 kg x 3.5 mt	500 kg x 3 mt 250 kg x 5 mt	500 kg x 3 mt 250 kg x 5 mt	300 kg x 2.5 mt 200 kg x 3.5 mt	400 kg x 2.5 mt 150 kg x 5 m
Duty	frequent	heavy	heavy	heavy	frequent	frequent
Intermittence	S2 = 30 min S3 = 50%	S2 = 20 min S3 = 50%	S2 = 20 min S3 = 50%	S2 = 20 min S3 = 50%	S2 = 15 min S3 = 25%	S2 = 15 min S3 = 25%
Power supply	24V DC	230V AC-50Hz	230V AC - 50Hz	24V DC	230V AC - 50Hz	230V AC - 50Hz
Insulation rate	3	1	1	3	1	1
Current	3 A	1.1 A	1.1 A	12 A	1.1 A	1.1 A
Motor power	24 W	180 W	180 W	200 W	180 W	180 W
Thrust rate	1500 N	3000 N	3000 N	3000 N	3000 N	3000 N
Opening time	25 s/90'	22 s/90'	32 s/90'	20 s/90'	22 s/90'	38 s/90'
Max. stroke	350 mm	350 mm	500 mm	500 mm	280 mm	480 mm
Max. opening	110°	110°	120°	120°	100°	120°
Lock release	by key	by key	by key	by key	by key	by key
Operation temperature	-15°C/+50°C	-15°C/+50°C	-15°C/+50°C	-15°C/+50°C	-15°C/+50°C	-15°C/+50°C
Protection degree	IP 54	IP 24D	IP 24D	IP 24D	IP 45	IP 45
Dimensions	995x110x200	890x100x120	1040x100x120	1040x100x120	1096x90x120	1506x90x120
Weight	5.9 kg	10.5 kg	11 kg	11 kg	9 kg	12 kg
Control panel	D2H LOGIC C22 LOGIC C22S	D1 - D2 LOGIC A21 - A22 (LUXO 3R only with LOGIC A21 - A22)	D1 - D2 LOGIC A21 LOGIC A22	LOGIC C22	D1 - D2 LOGIC A21 LOGIC A22	D1 -D2 LOGIC A21 LOGIC A22

Obbi

► Elegant design and versatile applications

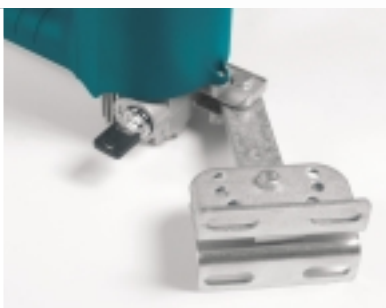
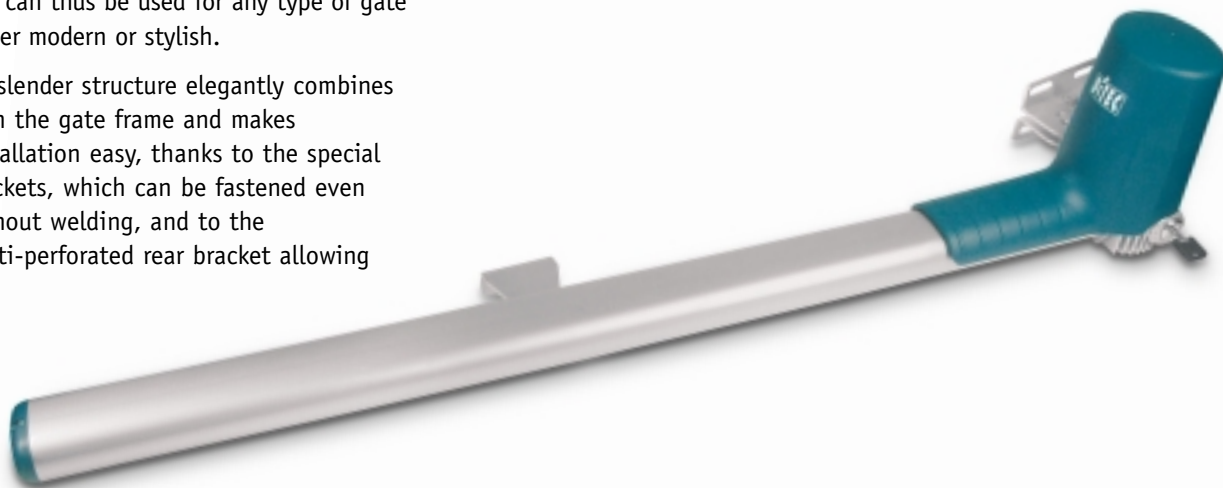
Gates for residential application often require automation which not only guarantee a long-lasting quality of the product, but also perfectly combine with the beauty of the gate.

Obbi's refined and simple design fully meets the above-mentioned requirement and can thus be used for any type of gate either modern or stylish.

Its slender structure elegantly combines with the gate frame and makes installation easy, thanks to the special brackets, which can be fastened even without welding, and to the multi-perforated rear bracket allowing

you to locate the bracket in the ideal operating position, simply by changing the arrangement of the holes.

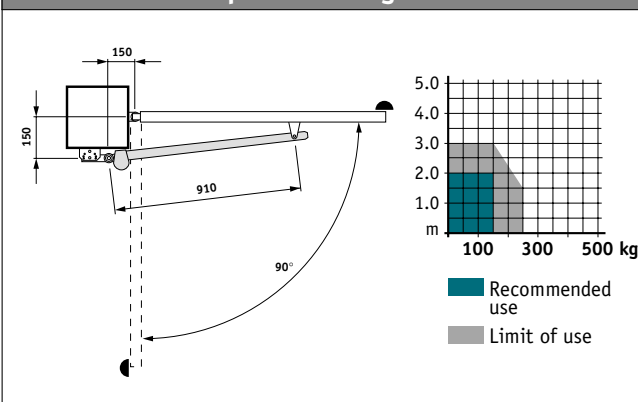
In case of power failure it is always possible to operate manually through the key release and automatically if a control panel has a battery back up installed.



► Specifications

- High safety guaranteed by the 24V DC low voltage power supply
- Refined and simple design
- Shaft cover in anodized aluminium
- Adjustable to any gate frame, either modern or stylish
- Suitable for moving gates with small posts
- Easily accessible key release system
- Power supply by battery back up in case of power failure

Obbi 3BH operation diagram and chart



Specific accessories

- Optional battery back up device

Luxo

▶ The privilege of Beauty. Solid and durable, for heavy use.

Elegant and refined, Luxo was born to be admired and desired.

Its modern and futurist structure is characterized by a soft combination of round and smooth forms, it is suitable for any type of gate frame.

It has been designed to comply with the most solid and reliable DITEC mechanisms.

Aluminium, the noble material it is made of, makes it look light and clean;

this feature will last in time despite bad climatic conditions, also thanks to its additional polyester coating.

Every detail has been studied and designed with passion and care.



▶ No problem in case of power failure

Thanks to the manual lock release, which is located under the elegant and easily accessible plastic cover, any emergency situation due to power vice failure can be promptly solved.

▶ Easy installation

Under the upper casing all electric connections are orderly gathered to make both installation and maintenance easy and quick.

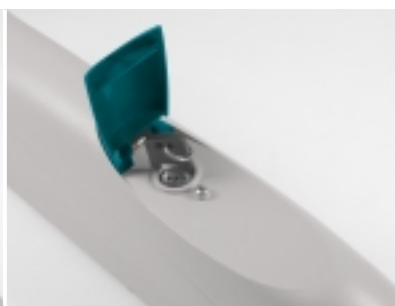
▶ Total reliability always

System and power supply connection wires are located in a specially designed raceway to avoid scratching, torsion and wear during operation and preventing any possible damage.

Brackets are made of galvanized steel while rotation bushes are made of hardened steel to make sliding easy and avoid system wear.

Specific accessories

- ▶ Battery back up in case of power failure (5BH)
- ▶ Electric locks



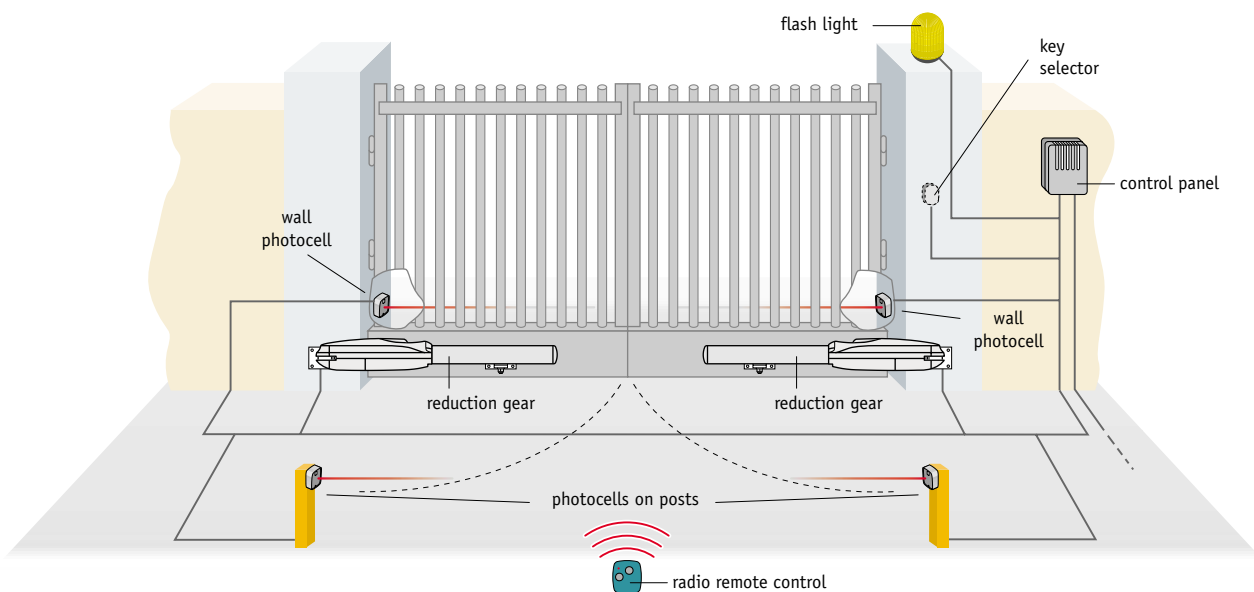
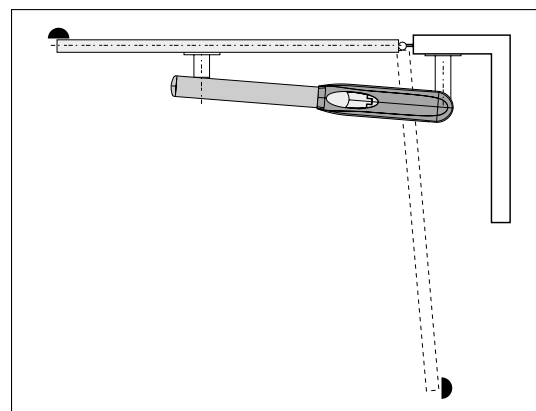
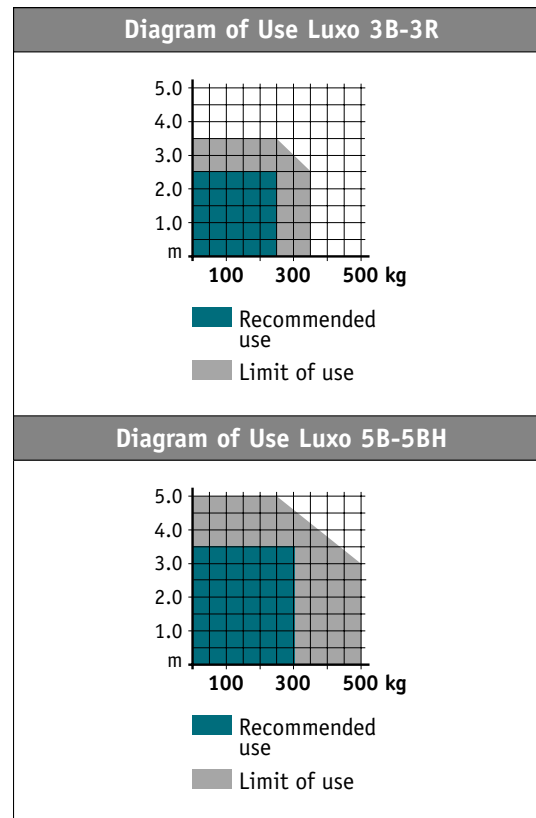
Elegant design even for details

All fixing screws are made of stainless steel to be weatherproof and preserve the beauty of the whole automation system over time. However, they are not exposed to view thanks to the precious accuracy on the designer's part. Nothing is unintentional.

Sturdy, durable and reliable, it silently works to be admired and desired.



Find out about its special features in the table below.

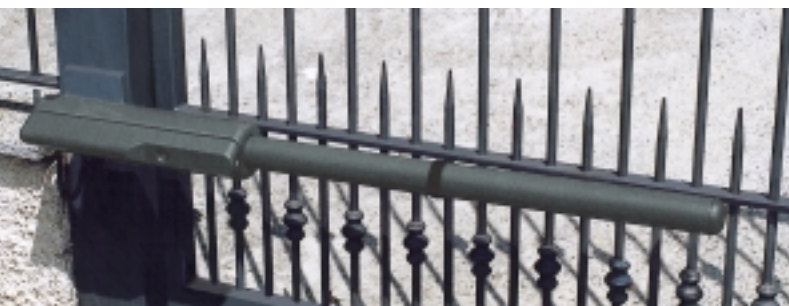


Silver

▶ Refined design and sturdy structure

Superior design and powder-coated casing resistant to any weather conditions.

A simple key release provides for uncoupling between motor and reduction gear and allows easy manual operation of the gate wings in the event of power failure.

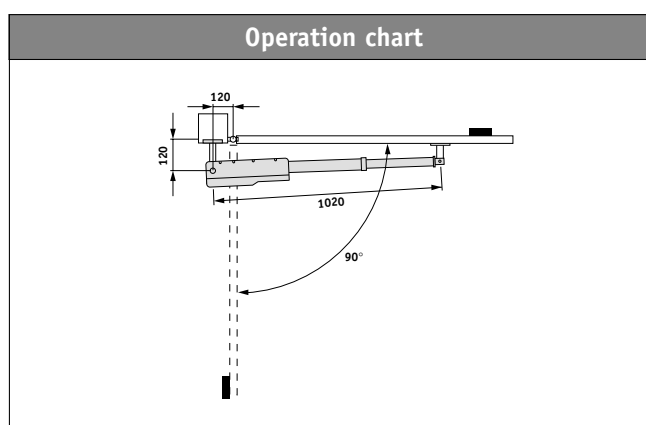
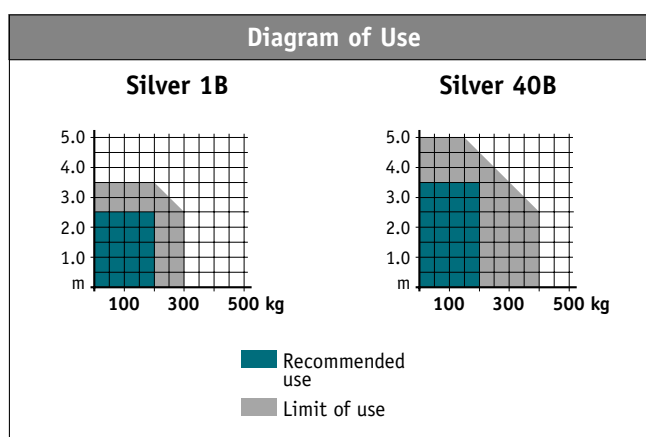


▶ Technical specifications

- ▶ Superior design and attractive colour
- ▶ Aluminium die-cast housings with epoxide powder coating
- ▶ Total reliability in any operating condition
- ▶ Easily accessible key release device

Specific Accessories

- ▶ Silver A130: fork to widen the opening by 10° (only for Silver 40B)
- ▶ Silver PF: plates with adjustable fixing brackets for installation without welding
- ▶ Electric locks



▶ Main functions of the automation system and control panels

	LUXO					OBBI		SILVER			
	D1	D2	LOGIC A21	LOGIC A22	LOGIC C22	D2H	LOGIC C22 LOGIC C22S	D1	D2	LOGIC A21	LOGIC A22
Battery back up provides for power supply in the event of power failure					/	/ optional	/ C22S optional				
Number of motors	1	2	1	2	1 o 2	1 o 2	1 o 2	1	2	1	2
Motor power supply	230V AC 5 A max	230V DC 2x2.5 A max	230V AC 5 A max	230V AC 2x2.5 A max	24V DC 2x12 A max 24V DC 2x4.5 A max. (C22S)	24V DC 2x4.5 A max	24V DC 2x12 A max 24V DC 2x4.5 A max. (C22S)	230V AC 5 A max	230V AC 2x2.5 A max	230V AC 5 A max	230V AC 2x2.5 A max
Accessories power supply ①	C	C	B	B	B	B	B	C	C	B	B
Electric lock power supply ②		1	2	2	2	2	2		1	2	2
Flashing light power supply ③ 3-second warning flash light, signalling the gate leaves are closing	L	L	H L	H L	H	H	H	L	L	H L	H L
Open gate signal ④ signals the gate is not completely closed	F	A	A F	A F	A	A	A	F	A	A F	A F
Courtesy light output	/							/			
Provision for limit switches ⑤	/		/	/ 1	/ 2		/ 2	/		/	/ 1
Power adjustment ⑥ provides for the best thrust value onto the leaf to ensure regular operation	E	E	V	V				E	E	V	V
ODS – obstacle detection provides for operation stopping or reversal in case of obstacle detection	/	/	/	/	/	/	/	/	/	/	/
Speed adjustment provides for leaf speed adjustment					/		/				
Slow down effect					/		/				
Operation time adjustment	/	/	/	/	/	/	/	/	/	/	/
Opening/closing			/	/	/		/			/	/
Partial opening provides for easy pedestrian passage			/	/	/		/			/	/
Automatic closing	/	/	/	/	/	/	/	/	/	/	/
Step-by-step control	/	/	/	/	/	/	/	/	/	/	/
Hold-to-run control			/	/	/		/			/	/
Stop safety	/	/	/	/	/	/	/	/	/	/	/
Reverse safety	/	/	/	/	/	/	/	/	/	/	/
NIO antifreeze function			/	/	/		/			/	/
Dimensions	250x180x100 210x100x100 (X31)	250x180x100	250x180x100	225x320x120	225x320x120	250x180x100	225x320x120	250x180x100 210x100x100 (X31)	250x180x100	250x180x100	225x320x120

Legend

① Accessories power supply	B = 24V DC 0.3 A (nom.) - 0.5 A (peak); C = 24V DC 0.15 A (nom.) - 0.3 A (peak)
② Electric lock power supply	1 = 12V DC - 15 W; 2 = 24V DC - 1.2 max.
③ Flashing light	H = 24 V; L 230 V
④ Open gate signal	A = analogic; F = limit switches
⑤ Provision for limit switches	1 = only during opening; 2 = slow down
⑥ Power adjustment	E = electronic; V = voltage change

▶ Accessories

DITEC wide range of accessories offers access systems with several operation and control alternatives.

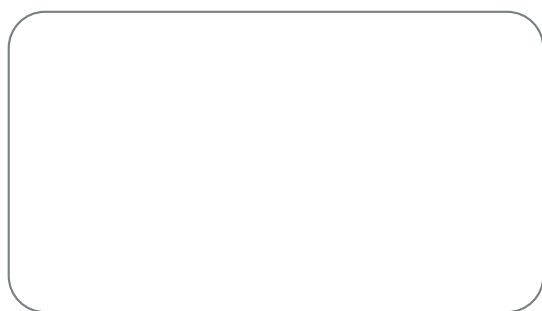
Detailed information can be found in the Technical Manual available on the website www.ditec.it or in price lists.

▶ Regulations

Use only DITEC accessories and safety devices for automation system installation.

DITEC actuators are designed and built in compliance with the safety requirements defined in the Machinery Directive (98/37/CE), Electromagnetic Compatibility Directive (89/336/CEE) and Low-Voltage Directive (73/23/CEE).

DITEC products are constantly improved. As a consequence technical data as listed in this leaflet are not to be considered binding. Further information can be found in technical manuals available on the website www.ditec.it



DITEC S.p.A.

Via Mons. Banfi, 3 - 21042 Caronno Pertusella (VA) - ITALY
Tel. +39 02 963911 - Fax +39 02 9650314
www.ditec.it - ditec@ditecva.com

DITEC FRANCE
DITEC DEUTSCHLAND
DITEC SVIZZERA
DITEC AMERICA

PALAISEAU
OBERURSEL
MENDRISIO
FT. LAUDERDALE USA
Tel. +33 1 64532860
Tel. +49 6171914150
Tel. +41 91 6463339
Tel. +1 954 9624505

Fax +33 1 64532861
Fax +49 61719141555
Fax +41 91 6466127
Fax +1 954 9626824

www.ditec.fr
www.ditec-germany.de
www.autecno.ch
www.ditecamerica.com

- ▶ **Six radio remote controls**
With individual code, that can not be copied, stored in the EEPROM, 16-million code combinations, rolling code technology. Approved and in compliance with directives.



- ▶ **Xel infra-red photocells**
They allow actuators to operate at the highest safety levels. Suitable for surface or flush mounting
With double relay as required by regulations. Modulated infra-red beam.



- ▶ **Xel key selectors**
High security, vandal-proof device.
Suitable for surface or flush mounting.



- ▶ **CS0 rubber safety bars**
Guarantee the highest safety conditions during opening and closing operations in any entrance system.



- ▶ **Xel digital keypad systems**
Vandal-proof digital keypad with secret code up to 8 figures.



- ▶ **Lamp flashing light**
Attractive and elegant design.
Available also with surface-mounting support and built-in antenna.



- ▶ **Teo L wireless digital keypad**
4-channel programmable radio remote control. It provides for radio opening of automatic entrances, by means of a code. Suitable for surface mounting.



- ▶ **Lan proximity access control**
Identification system using transponder technology.



ISO 9001
Cert. n° 0957/1